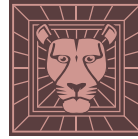


19 5/8"

Item Number:
E303-B20-BNK
E303-B20-MBK
E303-B20-RGD

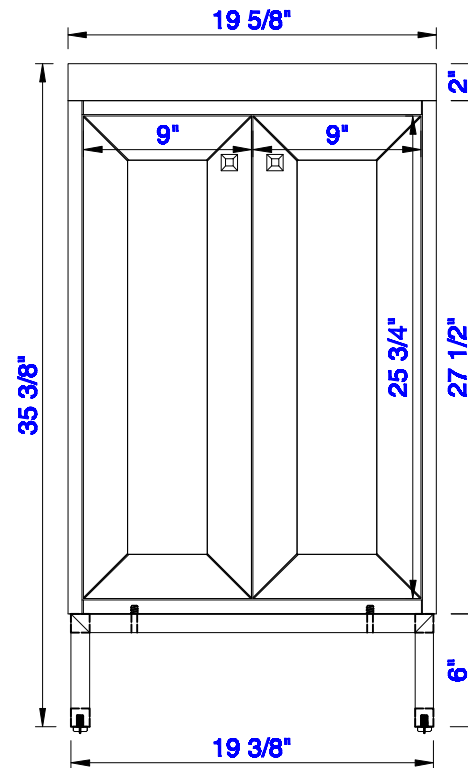
E303-V20-GW
E303-V20-MG
E303-V20-WW

JAMES MARTIN



VANITIES™

Chianti 19 5/8" Cabinet
Chianti 19 3/8" Metal Base
Diagrams with Dimensions
page 01 of 03



NOTE ONE: Countertop with integrated sink is shown on this cabinet
NOTE TWO: This vanity does not have a Backsplash.

Version:202004

19 5/8"

Item Number:
E303-B20-BNK
E303-B20-MBK
E303-B20-RGD

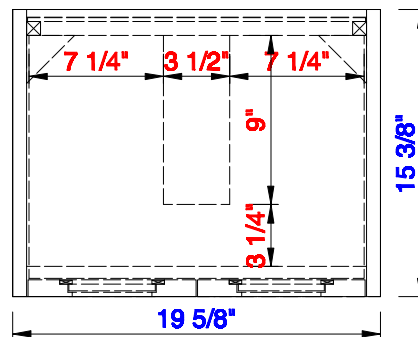
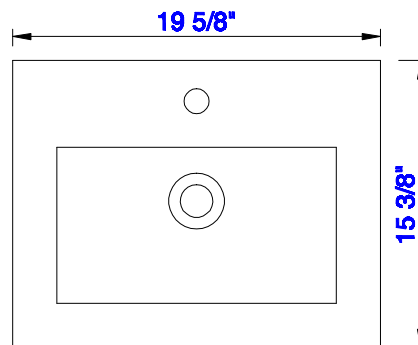
E303-V20-GW
E303-V20-MG
E303-V20-WW

JAMES MARTIN



VANITIES™

Chianti 19 5/8" Cabinet
Chianti 19 3/8" Metal Base
Diagrams with Dimensions
page 02 of 03



NOTE ONE: Countertop with integrated sink is shown on this cabinet.

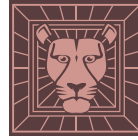
Version:202004

19 5/8"

Item Number:
E303-B20-BNK
E303-B20-MBK
E303-B20-RGD

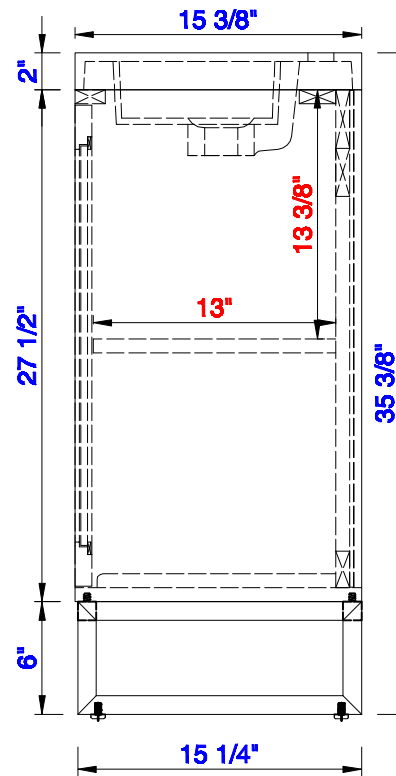
E303-V20-GW
E303-V20-MG
E303-V20-WW

JAMES MARTIN



VANITIES™

Chianti 19 5/8" Cabinet
Chianti 19 3/8" Metal Base
Diagrams with Dimensions
page 03 of 03



NOTE ONE: Countertop with integrated sink is shown on this cabinet
NOTE TWO: This vanity does not have a Backsplash.

Version:202004

794mm

Item Number:
E303-B20-BNK
E303-B20-MBK
E303-B20-RGD

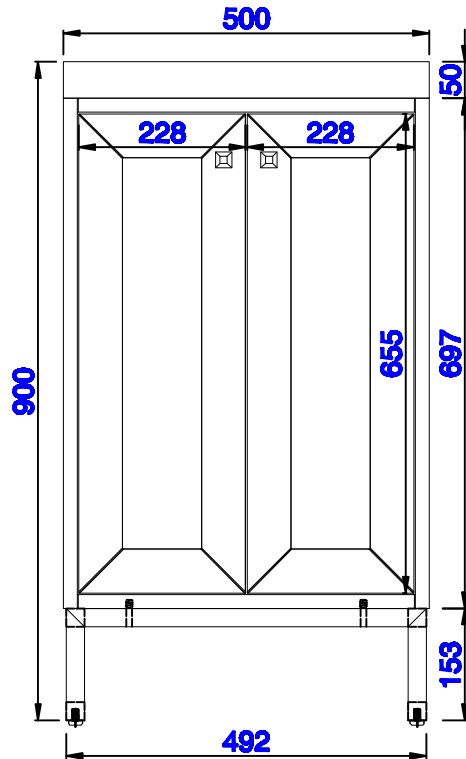
E303-V20-GW
E303-V20-MG
E303-V20-WW

JAMES MARTIN



VANITIES™

Chianti 500mm Cabinet
Chianti 492mm Metal Base
Diagrams with Dimensions
page 01 of 03



NOTE ONE: Countertop with integrated sink is shown on this cabinet
NOTE TWO: This vanity does not have a Backsplash.

Version:202004

794mm

Item Number:
E303-B20-BNK
E303-B20-MBK
E303-B20-RGD

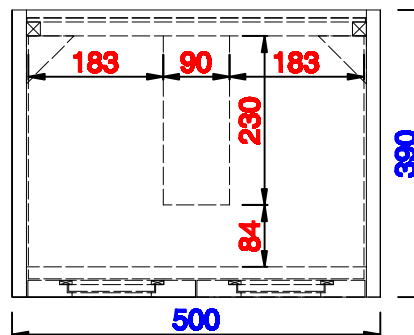
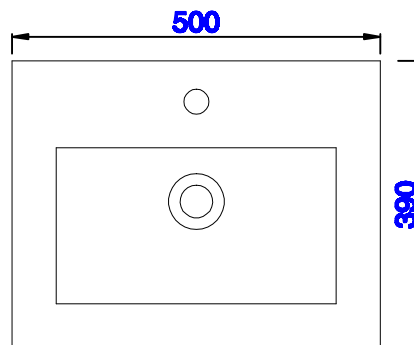
E303-V20-GW
E303-V20-MG
E303-V20-WW

JAMES MARTIN



VANITIES™

Chianti 500mm Cabinet
Chianti 492mm Metal Base
Diagrams with Dimensions
page 02 of 03



NOTE ONE: Countertop with integrated sink is shown on this cabinet.

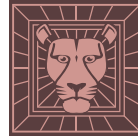
Version:202004

794mm

Item Number:
E303-B20-BNK
E303-B20-MBK
E303-B20-RGD

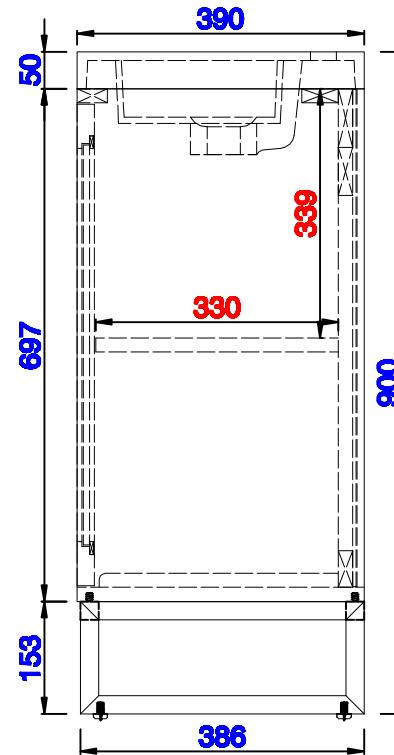
E303-V20-GW
E303-V20-MG
E303-V20-WW

JAMES MARTIN



VANITIES™

Chianti 500mm Cabinet
Chianti 492mm Metal Base
Diagrams with Dimensions
page 03 of 03



NOTE ONE: Countertop with integrated sink is shown on this cabinet
NOTE TWO: This vanity does not have a Backsplash.

Version:202004